

## RUTASEAL® Rubber Grommets

RUTASEAL® is very simple to use and demands no tools, which in turn means lower work cost. It requires no screw-driver or scissors to make the hole, which otherwise would endanger the IP-class seal. RUTASEAL® is SEMKO tested for IP67 internally and externally. The chloroprene version is also DNV approved. RUTASEAL® is produced in EPDM and Chloroprene in both PG and Metric. The seals are produced in black, light grey and grey. RUTASEAL® has a very high finish and the automatic method of production guarantees the same even and high quality on all products at all times.



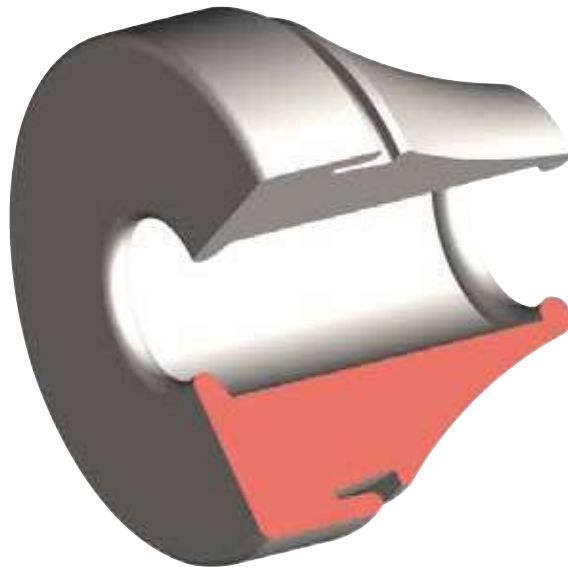
## Product features RUTASEAL® & RUTASEAL LIGHT®

**IP Class: IP67 (external).**

**Both Metric and PG programmes.**

**"Pushout" membrane with 0,25 mm thickness.**

**Internal / External holes IP67.**



**Internal / External holes IP67.**

**Produced in halogene-free EPDM or Chloroprene.**

**RUTASEAL can be assembled from either end depending upon the application.**

**Hardness: 60 ± 5 (Shore density).**

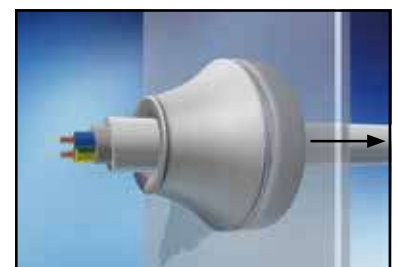
**Suits material thickness 0,5 - 4 mm both in plastic and metal.**



Push the grommet into the hole.

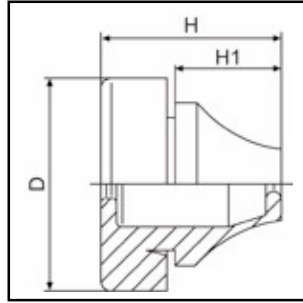


Pierce the grommet with the cable.



The grommet is then locked in position by pulling back on the cable..

# RUTASEAL® EPDM Metric



## Material

EPDM - Halogen Free  
Resistant to chemicals and weatherproof.

## Mode of protection

IP67

## Temperature range

-40°C...+110°C <sup>(1)</sup>

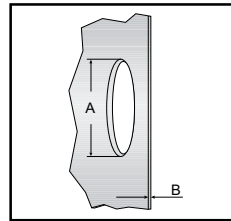
## Test standard

EN60670-1:2005+A1:2013

## Semko report

1301727 (M12-M50), 1612391 (M63)  
1122298 (M12F, M16F)

- Quick and simple assembly without the use of tools
- Can be assembled from either end depending on application
- "Pushout" membrane



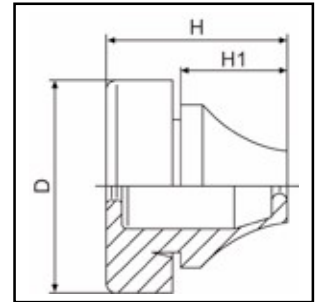
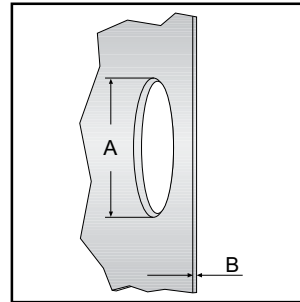
Product number	Size	For cable/ pipe Ø mm	A mm	B mm	D mm	H mm	H1 mm	Pcs pack	
<b>RAL 7001</b>									
T_14 582 33	M12	4 - 7	12,5	0,5 - 2	20	12,7	5,4	50	4000
T_14 582 33-F	M12	4 - 7	12,5	2 - 5	20	12,7	5,4	50	4000
T_14 582 34	M16	5 - 9	16,5	1 - 4	21	18	10,5	50	4000
T_14 582 34-F	M16	5 - 9	16,5	2 - 5	21	18	10,5	50	4000
T_14 582 35	M20	8 - 13	20,5	1 - 4	25,5	20	12,7	50	2000
T_14 582 36	M25	11 - 17	25,5	1 - 4	30,5	21,6	14,5	50	1500
T_14 582 37	M32	15 - 20	32,5	1 - 4	38,5	24,8	17,5	25	1000
T_14 582 38	M40	19 - 28	40,5	1 - 4	48,5	30	20,4	25	400
T_14 582 39	M50	27 - 35	50,5	1 - 4	60,5	35	23,9	10	250
T_14 582 40	M63	34 - 45	63,5	1 - 4	73,5	40	28,9	5	125
<b>RAL 9005</b>									
T_14 582 93	M12	4 - 7	12,5	0,5 - 2	20	12,7	5,4	50	4000
T_14 582 93-F	M12	4 - 7	12,5	2 - 5	20	12,7	5,4	50	4000
T_14 582 94	M16	5 - 9	16,5	1 - 4	21	18	10,5	50	4000
T_14 582 94-F	M16	5 - 9	16,5	2 - 5	21	18	10,5	50	4000
T_14 582 95	M20	8 - 13	20,5	1 - 4	25,5	20	12,7	50	2000
T_14 582 96	M25	11 - 17	25,5	1 - 4	30,5	21,6	14,5	50	1500
T_14 582 97	M32	15 - 20	32,5	1 - 4	38,5	24,8	17,5	25	1000
T_14 582 98	M40	19 - 28	40,5	1 - 4	48,5	30	20,4	25	400
T_14 582 99	M50	27 - 35	50,5	1 - 4	60,5	35	23,9	10	250
T_14 583 00	M63	34 - 45	63,5	1 - 4	73,5	40	28,9	5	125
<b>RAL 7035</b>									
T_14 583 03	M12	4 - 7	12,5	0,5 - 2	20	12,7	5,4	50	4000
T_14 583 03-F	M12	4 - 7	12,5	2 - 5	20	12,7	5,4	50	4000
T_14 583 04	M16	5 - 9	16,5	1 - 4	21	18	10,5	50	4000
T_14 583 04-F	M16	5 - 9	16,5	2 - 5	21	18	10,5	50	4000
T_14 583 05	M20	8 - 13	20,5	1 - 4	25,5	20	12,7	50	2000
T_14 583 06	M25	11 - 17	25,5	1 - 4	30,5	21,6	14,5	50	1500
T_14 583 07	M32	15 - 20	32,5	1 - 4	38,5	24,8	17,5	25	1000
T_14 583 08	M40	19 - 28	40,5	1 - 4	48,5	30	20,4	25	400
T_14 583 09	M50	27 - 35	50,5	1 - 4	60,5	35	23,9	10	250
T_14 583 37	M63	34 - 45	63,5	1 - 4	73,5	40	28,9	5	125

(1) Unstressed material.

# RUTASEAL® Chloroprene Metric

<b>Material</b>	Chloroprene Resistant to chemicals, ageing and weatherproof.
<b>Mode of protection</b>	IP67
<b>Temperature range</b>	-30°C....+100°C <sup>(1)</sup>
<b>Test standard</b>	EN60670-1:2005+A1:2013
<b>Semko report</b>	1612391 (M12-M50), 1123937 (M63), 1507433 (M12F, M16F)
<b>DNV report</b>	E-12700

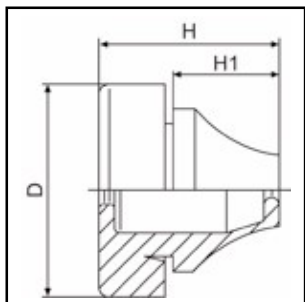
- Quick and simple assembly without the use of tools
- Can be assembled from either end depending on application
- "Pushout" membrane



Product number	Size	For cable/ pipe Ø mm	A mm	B mm	D mm	H mm	H1 mm	Pcs pack	
<b>RAL 9005</b>									
T_14 582 53	M12	4 - 7	12,5	0,5 - 2	20	12,7	5,4	50	4000
T_14 582 53-F	M12	4 - 7	12,5	2 - 5	20	12,7	5,4	50	4000
T_14 582 54	M16	5 - 9	16,5	1 - 4	21	18	10,5	50	4000
T_14 582 54-F	M16	5 - 9	16,5	2 - 5	21	18	10,5	50	4000
T_14 582 55	M20	8 - 13	20,5	1 - 4	25,5	20	12,7	50	2000
T_14 582 56	M25	11 - 17	25,5	1 - 4	30,5	21,6	14,5	50	1500
T_14 582 57	M32	15 - 20	32,5	1 - 4	38,5	24,8	17,5	25	1000
T_14 582 58	M40	19 - 28	40,5	1 - 4	48,5	30	20,4	25	400
T_14 582 59	M50	27 - 35	50,5	1 - 4	60,5	35	23,9	10	250
T_14 582 60	M63	34 - 45	63,5	1 - 4	73,5	40	28,9	5	125

(1) Unstressed material.

# RUTASEAL LIGHT® EPDM Metric



## Material

EPDM - Halogen Free  
Resistant to chemicals and weatherproof.

## Mode of protection

IP67

## Temperature range

-40°C...+110°C <sup>(1)</sup>

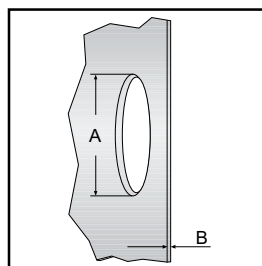
## Test standard

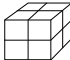
EN 60670-1:2005+A1:2013

## Semko report

1313520

- Quick and simple assembly without the use of tools
- Can be assembled from either end depending on application
- Less material makes it easier to install, as well as pull out
- "Pushout" membrane



Product number	Size	For cable/pipe Ø mm	A mm	B mm	D mm	H mm	H1 mm	Pcs pack	
<b>RAL 7001</b>									
T_14 583 26	M16	5 - 9	16,5	1 - 4	21	18	11	50	4000
T_14 583 27	M20	8 - 12	20,5	1 - 4	25,5	20	13,4	50	2000
T_14 583 28	M25	11 - 16	25,5	1 - 4	30,5	21,6	15,3	50	1500
<b>RAL 9005</b>									
T_14 583 30	M16	5 - 9	16,5	1 - 4	21	18	11	50	4000
T_14 583 31	M20	8 - 12	20,5	1 - 4	25,5	20	13,4	50	2000
T_14 583 32	M25	11 - 16	25,5	1 - 4	30,5	21,6	15,3	50	1500
<b>RAL 7035</b>									
T_14 583 34	M16	5 - 9	16,5	1 - 4	21	18	11	50	4000
T_14 583 35	M20	8 - 12	20,5	1 - 4	25,5	20	13,4	50	2000
T_14 583 36	M25	11 - 16	25,5	1 - 4	30,5	21,6	15,3	50	1500



**RUTASEAL®**



**RUTASEAL LIGHT®**

RUTASEAL LIGHT® was originally designed for strip lighting manufacturers and similar applications. Less material makes it lighter and easier to install, while providing IP67 protection. At the same time it is also easier to pull it out of the opening.

(1) Unstressed material.

**Material** EPDM - Halogen Free  
Resistant to chemicals and weatherproof.

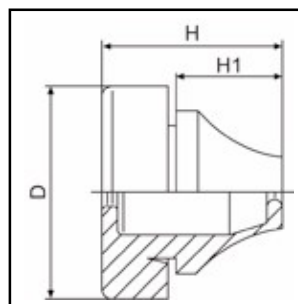
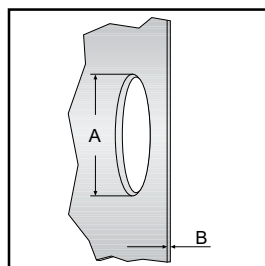
**Mode of protection** IP67

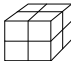
**Temperature range** -40°C.....+110°C <sup>(1)</sup>

**Test standard** EN 60670-1:2005+A1:2013

**Semko report** 1612391

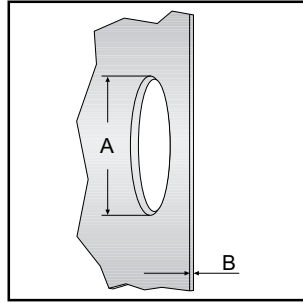
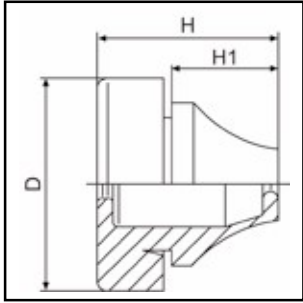
- Quick and simple assembly without the use of tools
- Can be assembled from either end depending on application
- "Pushout" membrane



Product number	Size	For cable/ pipe Ø mm	A mm	B mm	D mm	H mm	H1 mm	Pcs pack	
<b>RAL 7001</b>									
T_14 582 20	PG7	3 - 5	13	0,5 - 2	20	12,7	5,4	50	4000
T_14 582 21	PG9	5 - 7	16	1 - 4	21	18	10,3	50	4000
T_14 582 22	PG11	7 - 10	19	1 - 4	24	20	12,7	50	2000
T_14 582 23	PG16	10 - 14	23	1 - 4	28	21,6	14,7	50	1500
T_14 582 24	PG21	14 - 20	29	1 - 4	35	24,8	17,6	25	1000
T_14 582 25	PG29	20 - 26	38	1 - 4	46	28,5	20	25	400
T_14 582 26	PG36	26 - 35	48	1 - 4	58	35	23,9	10	250
<b>RAL 9005</b>									
T_RS-PG7S	PG7	3 - 5	13	0,5 - 2	20	12,7	5,4	50	4000
T_RS-PG9S	PG9	5 - 7	16	1 - 4	21	18	10,3	50	4000
T_RS-PG11S	PG11	7 - 10	19	1 - 4	24	20	12,7	50	2000
T_RS-PG16S	PG16	10 - 14	23	1 - 4	28	21,6	14,7	50	1500
T_RS-PG21S	PG21	14 - 20	29	1 - 4	35	24,8	17,6	25	1000
T_RS-PG29S	PG29	20 - 26	38	1 - 4	46	28,5	20	25	400
T_RS-PG36S	PG36	26 - 35	48	1 - 4	58	35	23,9	10	250
<b>RAL 7035</b>									
T_14 582 12	PG7	3 - 5	13	0,5 - 2	20	12,7	5,4	50	4000
T_14 582 13	PG9	5 - 7	16	1 - 4	21	18	10,3	50	4000
T_14 582 14	PG11	7 - 10	19	1 - 4	24	20	12,7	50	2000
T_14 582 15	PG16	10 - 14	23	1 - 4	28	21,6	14,7	50	1500
T_14 582 16	PG21	14 - 20	29	1 - 4	35	24,8	17,6	25	1000
T_14 582 17	PG29	20 - 26	38	1 - 4	46	28,5	20	25	400
T_14 582 18	PG36	26 - 35	48	1 - 4	58	35	23,9	10	250

(1) Unstressed material.

# RUTASEAL® Chloroprene PG



<b>Material</b>	Chloroprene Resistant to chemicals, ageing and weatherproof.
<b>Mode of protection</b>	IP67
<b>Temperature range</b>	-30°C.....+100°C <sup>(1)</sup>
<b>Test standard</b>	EN 60670-1:2005+A1:2013
<b>Semko report</b>	1612391, 112937 (M63)
<b>DNV report</b>	E-12700

- Quick and simple assembly without the use of tools
- Can be assembled from either end depending on application
- "Pushout" membrane

Product number	Size	For cable/ pipe Ø mm	A mm	B mm	D mm	H mm	H1 mm	Pcs pack	
<b>RAL 9005</b>									
T_14 582 42	PG7	3 - 5	13	0,5 - 2	20	12,7	5,4	50	4000
T_14 582 43	PG9	5 - 7	16	1 - 4	21	18	10,3	50	4000
T_14 582 44	PG11	7 - 10	19	1 - 4	24	20	12,7	50	2000
T_14 582 45	PG16	10 - 14	23	1 - 4	28	21,6	14,7	50	1500
T_14 582 46	PG21	14 - 20	29	1 - 4	35	24,8	17,6	25	1000
T_14 582 47	PG29	20 - 26	38	1 - 4	46	28,5	20	25	400
T_14 582 48	PG36	26 - 35	48	1 - 4	58	35	23,9	10	250

(1) Unstressed material.